

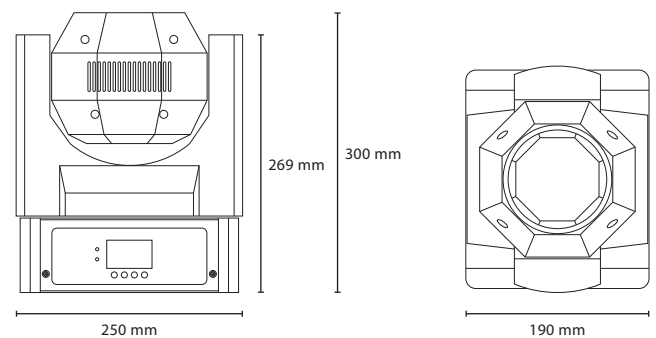


60W OSRAM RGBW Beam Light

The **B One** is a powerful beam light with a 60 W RGBW LED chip and is pushed through a high quality upgraded 4° - 96 mm lens. It is a compact lightweight fixture with an incredible fast continuous pan and tilt movement. Its soft rubber coated finish does not generate reflections. ■

Physical

Dimensions (WxHxD)	250 x 300 x 190 mm
Packaging dimensions (WxHxD)	260 x 360 x 250 mm
Outer carton dimensions (2 pcs)	530 x 380 x 530 mm
Nett weight	4,9 kg
Gross weight (1 pc)	5,5 kg
Gross weight (4 pcs)	23 kg



Mounting options

Hanging	1 omega bracket with 2x 1/4 turn quick-lock fasteners
Standing	4x rubber feet
2nd suspension / safety wire	1x eye on the bottom of the fixture to pass a safety wire or carabiner

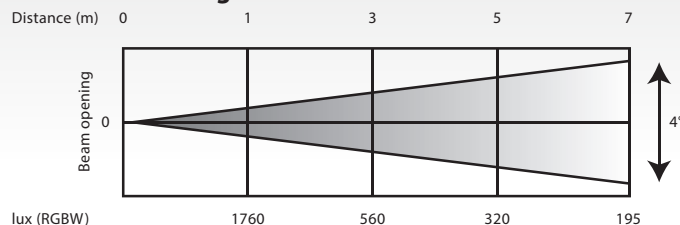
Control

Menu control via TFT display with 4 buttons	In/Link	XLR 5 pin	
Control	DMX512, manual, sound	DMX mode	15/17 channels
Movement	Continuous pan and tilt		

Optical

Beam angle	4°
Light output RGBW	1760 lux @ 1m 560 lux @ 3m 320 lux @ 5m 195 lux @ 7m
Light output @ full	116000 lux @ 1m 44400 lux @ 2m 19500 lux @ 3m 12400 lux @ 4m 8570 lux @ 5m
Colours	Red, blue, green & white
Strobe	0-20 Hz
Optic lens	96 mm

Photometrics Diagram

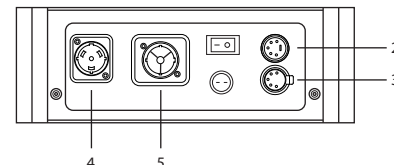
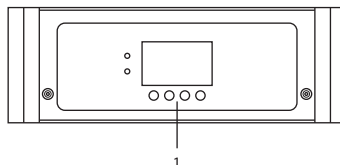


Electrical

Fixture rated power	100W	Input power	100 - 240V ~ 50/60Hz - Auto switching power supply
LED engine	60W RGBW SMD 5060	In/Link	PowerCON TRUE1 - max link current 10A

Connectivity

- 1 TFT display & menu control button
- 2 DMX input
- 3 DMX output
- 4 Power input
- 5 Power output



Accessories

Included

- 1x Powercable
- 1x Omega bracket

Environmental

Max. housing temperature	130° C
Cooling	Forced air cooling
IP rating	IP20