

- **Disinfection time < 15 min**
- **UVC air & surface**
- **No ozone emission**
- **1x TUV 55W HO (Philips)**
- **2x TUV 55W HO (Philips)**
- **IP20 - dustproof**

B Hybrid takes care of 24h air disinfection in the presence of people and animals and eliminates bacteria, viruses and fungal and mold spores in the air. All direct radiating fixtures have a standard double security with a moving sensor and extra safety. This direct & indirect UVC air disinfection unit can be used in production halls, health care facilities, pharmacies, public transport, shops and many more.



FUNCTION

- Disinfect secondary infections
- Eliminates bacteria
- Deactivates virus
- Kill fungi
- Kill mold

APPLICATIONS

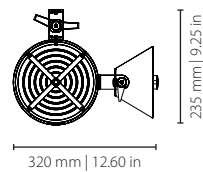
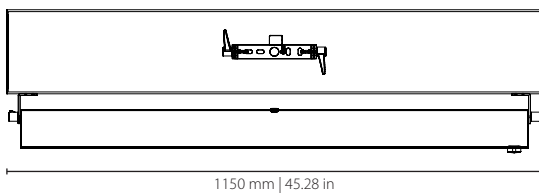
The B Hybrid can be used everywhere where air and surface needs to be sterilized, such as:

- Production halls,
- Hospitals,
- Healthcare facilities,
- Public transport,
- ...

SPECIFICATIONS

Beam angle	100°
Wavelength	253.7nm (254nm)
Lamp life	> 9.000 hrs
Alarm noise level @ 1m center	70 dB
Fan noise level @ 1m center	42 dB
Irradiance @ 1m	150 microW/cm ²
UVC radiation @ 100 hrs	17,5 W
Direct coverage	up to 22 m ²
Indirect coverage	up to 25 m ²
Fan capacity	117 m ³ /h
Voltage	230 V; 50 Hz
Power consumption	184 W
Movement detector	360 deg RF
Visual alarm	Red LED
Audio alarm	70 dB
Net weight	14,7 kg 32.41 lb
Gross weight	16,5 kg 36.38 lb

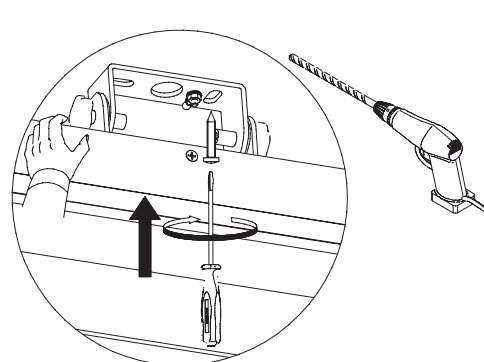
DIMENSIONS



MOUNTING

Hanging bracket

5 holes
20 mm center hole



COMPLIANCE (DIRECTIVE EP AND C NO.)

2014/35/EU	LVD recast of 2006/95/EC	2011/65/EU + 2015/863	ROHS
2014/30/EU	EMC	2012/19/EU	WEEE

CERTIFICATIONS

CE	Yes	CETL	Pending
ETL	Pending		
