

- Disinfection time < 15 min
- UVC air & surface
- 1x TUV 55W HO (Philips)
- No ozone emission
- IP20 - dustproof



B Direct disinfects air and surface (up to 22 m²), prevents secondary infections and eliminates bacteria, viruses and fungal and mold spores in the air. All direct radiating fixtures have a standard double security with a moving sensor and an extra safety. It can be used in production halls, hospitals, health care facilities, pharmacies, public transport and many more.

FUNCTION

- Disinfect secondary infections
- Eliminates bacteria
- Deactivates virus
- Kill fungi
- Kill mold

APPLICATIONS

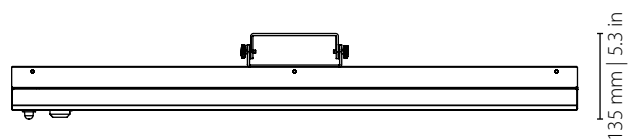
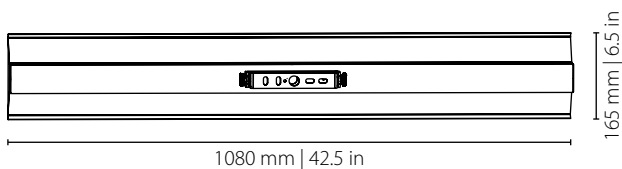
The B Direct can be used everywhere where air and surface needs to be sterilized, such as:

- Production halls,
- Hospitals,
- Healthcare facilities,
- Public transport,
- ...

SPECIFICATIONS

| | |
|--------------------------------------|----------------------------|
| Beam angle | 100° |
| Wavelength | 253.7nm (254nm) |
| Lamp life | > 9.000 hrs |
| Alarm noise level @ 1m center | 70 dB |
| Irradiance @ 1m | 150 microW/cm ² |
| UVC radiation @ 100 hrs | 17,5 W |
| Coverage | up to 22 m ² |
| Disinfection time | < 15 min |
| Voltage | 230 V; 50 Hz |
| Power consumption | 57 W |
| Movement detector | 360 deg RF |
| Visual alarm | Red LED |
| Audio alarm | 70 dB |
| Net weight | 6,6 kg 14.6 lbs |
| Gross weight | 8,2 kg 18.1 lbs |

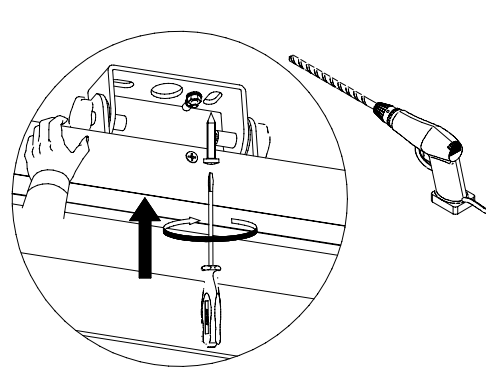
DIMENSIONS



MOUNTING

Hanging bracket

5 holes
20 mm center hole



COMPLIANCE (DIRECTIVE EP AND C NO.)

| | | | |
|-------------------|--------------------------|------------------------------|------|
| 2014/35/EU | LVD recast of 2006/95/EC | 2011/65/EU + 2015/863 | ROHS |
| 2014/30/EU | EMC | 2012/19/EU | WEEE |

CERTIFICATIONS

| | | | |
|------------|---------|-------------|---------|
| CE | Yes | CETL | Pending |
| ETL | Pending | | |
