

- Disinfection time < 15 min
- UVC air & surface
- 2x TUV 55W HO (Philips)
- No ozone emission
- IP20 - dustproof



B Direct II disinfects air and surface (up to 124.7 sq. ft), prevents secondary infections and eliminates bacteria, viruses and fungal and mold spores in the air. All direct radiating fixtures have a standard double security with a moving sensor and an extra safety. It can be used in production halls, hospitals, health care facilities, pharmacies, public transport and many more.

FUNCTION

- Disinfect secondary infections
- Eliminates bacteria
- Deactivates virus
- Kill fungi
- Kill mold

APPLICATIONS

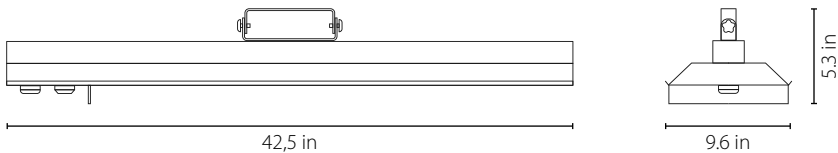
The B Direct II can be used everywhere where air and surface needs to be sterilized, such as:

- Production halls,
- Hospitals,
- Healthcare facilities,
- Public transport,
- ...

SPECIFICATIONS

Beam angle	100°
Wavelength	253.7nm (254nm)
Lamp life	> 9.000 hrs
Alarm noise level @ 3 ft center	70 dB
Irradiance @ 3 ft	762 microW/inch ²
UVC radiation @ 100 hrs	35 W
Coverage	up to 124 sq. ft
Disinfection time	< 15 min
Voltage	110 V; 60 Hz
Power consumption	112 W
Movement detector	360 deg RF
Visual alarm	Red LED
Audio alarm	70 dB
Net weight	19.4 lbs
Gross weight	23.8 lbs

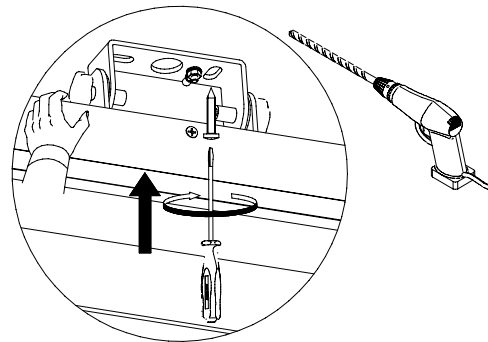
DIMENSIONS



MOUNTING

Hanging bracket

5 holes
0.78 in center hole



COMPLIANCE (DIRECTIVE EP AND C NO.)

2014/35/EU	LVD recast of 2006/95/EC	2011/65/EU + 2015/863	ROHS
2014/30/EU	EMC	2012/19/EU	WEEE

CERTIFICATIONS

CE	Yes	CETL	Pending
ETL	Pending		
