

- **Disinfection time < 15 min**
- **UVC air & surface**
- **No ozone emission**
- **1x TUV 55W HO (Philips)**
- **2x TUV 55W HO (Philips)**
- **IP20 - dustproof**

B Hybrid takes care of 24h air disinfection in the presence of people and animals and eliminates bacteria, viruses and fungal and mold spores in the air. All direct radiating fixtures have a standard double security with a moving sensor and extra safety. This direct & indirect UVC air disinfection unit can be used in production halls, health care facilities, pharmacies, public transport, shops and many more.



## FUNCTION

- Disinfect secondary infections
- Eliminates bacteria
- Deactivates virus
- Kill fungi
- Kill mold

## APPLICATIONS

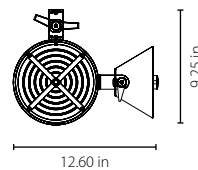
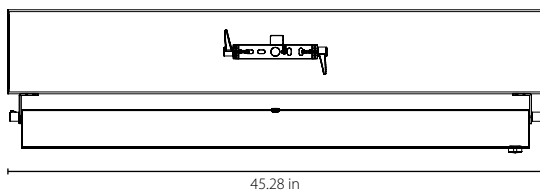
The B Hybrid can be used everywhere where air and surface needs to be sterilized, such as:

- Production halls,
- Hospitals,
- Healthcare facilities,
- Public transport,
- ...

## SPECIFICATIONS

<b>Beam angle</b>	100°
<b>Wavelength</b>	253.7nm (254nm)
<b>Lamp life</b>	> 9.000 hrs
<b>Alarm noise level @ 3 ft center</b>	70 dB
<b>Fan noise level @ 3 ft center</b>	42 dB
<b>Irradiance @ 3 ft</b>	381 microW/inch <sup>2</sup>
<b>UVC radiation @ 100 hrs</b>	17,5 W
<b>Direct coverage</b>	up to 72.2 sq. ft
<b>Indirect coverage</b>	up to 82 sq. ft
<b>Fan capacity</b>	4.132 ft <sup>3</sup> /h
<b>Voltage</b>	110 V; 60 Hz
<b>Power consumption</b>	184 W
<b>Movement detector</b>	360 deg RF
<b>Visual alarm</b>	Red LED
<b>Audio alarm</b>	70 dB
<b>Net weight</b>	32.4 lb
<b>Gross weight</b>	36.38 lb

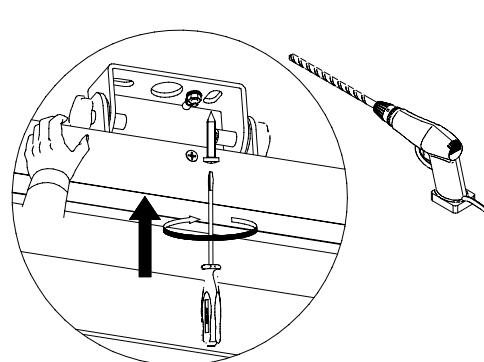
## DIMENSIONS



## MOUNTING

### Hanging bracket

5 holes  
0.78 in center hole



## COMPLIANCE (DIRECTIVE EP AND C NO.)

---

<b>2014/35/EU</b>	LVD recast of 2006/95/EC	<b>2011/65/EU + 2015/863</b>	ROHS
<b>2014/30/EU</b>	EMC	<b>2012/19/EU</b>	WEEE

---

## CERTIFICATIONS

---

<b>CE</b>	Yes	<b>CETL</b>	Pending
<b>ETL</b>	Pending		

---