

B EXPO500TW



LED expo fresnel TW with automated zoom

The B Expo500TW is a high-power tuneable white LED fresnel light specially designed for high-demanding customers. It delivers a very powerful and high-quality wash light in the full white spectrum. The specific feature set and nice design makes it the ideal tool for high-power applications in exhibitions, museums, shops, and everywhere else where high-power quality light is required. ■

Main features

- DMX/RDM
- Silent mode
- OLED display
- Double glass optics
- Push to enter turn button
- One hand locking
- 2.700K - 6.200K
- 16-bit dimming
- Adaptable frequency rate
- Extremely high and stable output

Accessories

- Powercable with bare ends
- Safety chain
- DMX cable
- Optional filter frame
- Optional white cover kit
- Optional 12-leaf barn door

Certifications

- TÜV Rheinland
- CE & US Certified

Optical

Lamp type	LED fresnel
Beam angle	21° - 55°
Colours	2.700K - 6.200K
Refresh rate	Adaptable 600 - 4.000Hz
Strobe	0-20Hz
CRI	97,4 Ra
TM30	Rf = 95 Rg = 101

Physical

Dimensions (WxHxD)	404 x 320 x 467 mm 15.9 x 12.6 x 18.4 in
Packing dimensions (WxHxD)	439 x 386 x 511 mm 17.3 x 15.2 x 20.1 in
Net weight	11 kg 24.3 lbs
Gross weight	12 kg 26.5 lbs
Cooling	Heat pipe + air cooling

Mounting

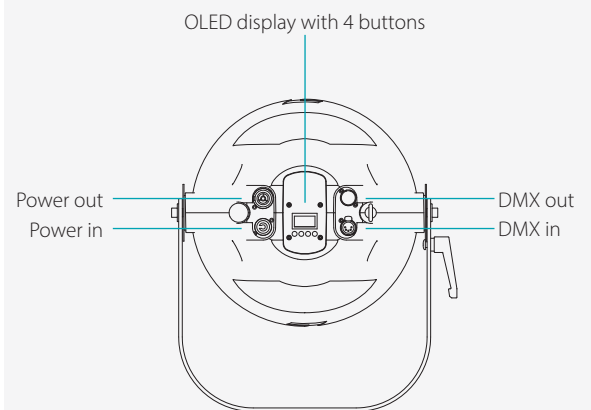
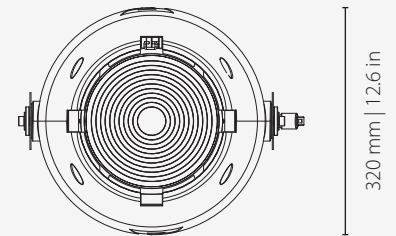
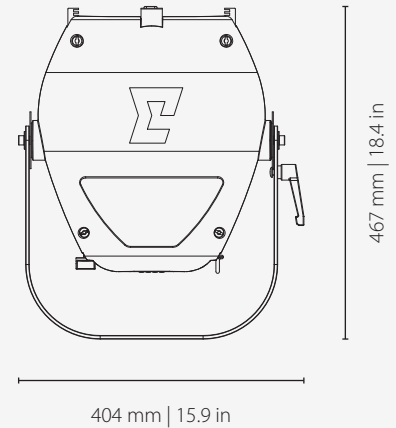
Hanging	3x m12 hole
2nd suspension/safety wire	1x eye in back of unit to pass carabiner

Control

Menu	OLED display with 4 buttons
Control	DMX/RDM, manual
DMX mode	3/4/7 channels
Dimmer mode	16-bit dimming
In/Link	XLR 5-Pin
Zoom	Motorized 21°-55°
Movement	One hand tilt locking

Electrical

Fixture rated power	300W
LED engine	500W tuneable white
Input power	240V ~ 50Hz Auto switching power supply
In/Link	powerCON TRUE1 max link current: 10A
IP rating	IP20



Photometric data

