



High volume air disinfection unit

- Fan capacity: 423.600 f³/h
- Easy and fast maintenance thanks to rail system
- 30x TUV 55W HO (Philips)
- MADS to create an aerodynamic air updraft (optional)



B Cannon is a high volume air disinfection unit for large scale venues. Its high air flow capacity and very high internal UVC disinfection, makes sure that all microorganisms are effected inside the B Cannon. No UVC radiation escapes from the unit due to the use of light traps (air passes through, while (UV)-light is blocked). B Cannon is the perfect solution to disinfect large venues like concert & exhibition halls, sports arenas, shopping malls, production facilities, airports & train stations...



Light trap



Optional nozzle



Rail system

FUNCTION

- Deactivates virus
- Eliminates bacteria
- Disinfect secondary infections
- Kill airborne fungi
- Kill airborne mold

APPLICATIONS

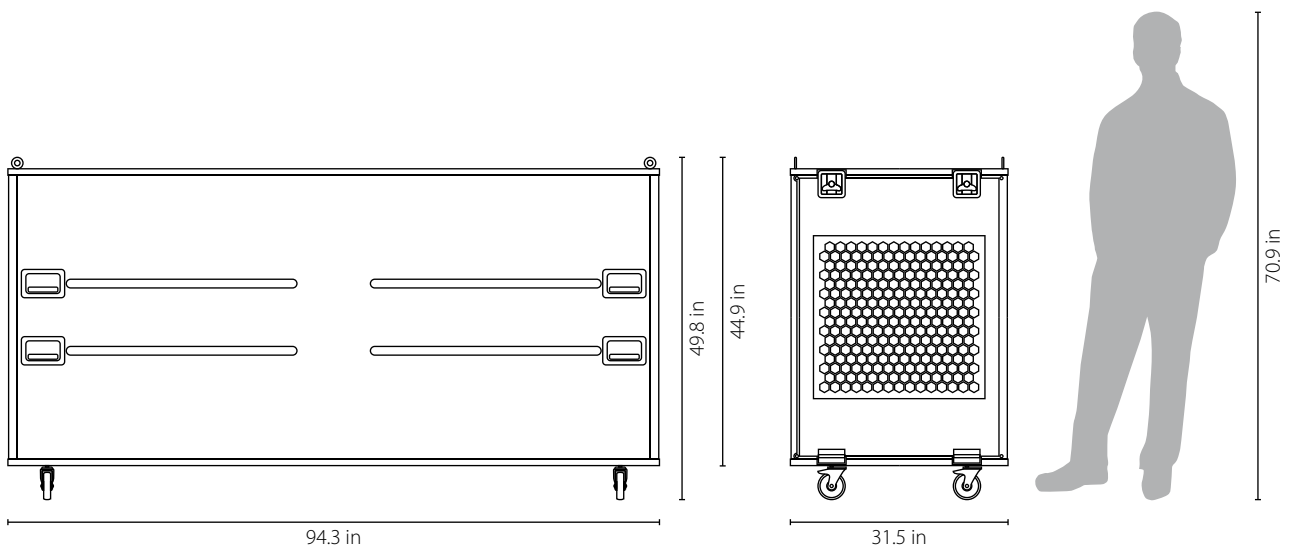
The B Cannon can be used everywhere where air needs to be sterilized, such as:

- Concert & Exhibition halls
- Sports arenas
- Shopping malls
- Productions facilities
- Airports & train stations

SPECIFICATIONS

Light source	30x TUV 55W HO (Philips)
Wavelength	253.7nm (254nm)
Lamp life	> 9.000 hrs
Fan noise level @ 1m center	95 dB
Fan capacity	423.600 f ³ /h
Voltage	3x 208V; 60 Hz - 16A
Power consumption	4.680 W
Net weight	584.2 lbs
Gross weight	584.2 lbs
Dimensions (WxHxD)	94.3 x 49.8 x 31.5 in

DIMENSIONS



MOUNTING

Hanging (ceiling / wall)	4x DIN580 M12 rigging eyes on each side for hanging
Standing	4x Tente turnable wheels with brake

COMPLIANCE (DIRECTIVE EP AND C NO.)

2014/35/EU	LVD recast of 2006/95/EC	2011/65/EU + 2015/863	ROHS
2014/30/EU	EMC	2012/19/EU	WEEE

CERTIFICATIONS

CE	Yes	CETL	Pending
ETL	Pending		
