

**Disinfection time < 15 min**

**UVC air & surface**

**2x TUV 55W HO**

**No ozone emission, no chemicals**

**Double safety**

**Patented reflector**



## **Double Direct UVC radiator with high efficiency reflector**

B Direct II V2 disinfects air and surface, prevents secondary infections and eliminates bacteria, viruses and fungal and mold spores in the air. All direct radiating fixture have a standard double security with double moving sensor and an extra safety. B Direct II V2 can be used in production halls, hospitals, health care facilities, pharmacies, public transport and many more.

### **FUNCTION**

- Disinfect secondary infections
- Eliminates bacteria
- Deactivates virus
- kill fungi
- kill mold

### **APPLICATIONS**

The B Direct II V2 can be used everywhere where air and surface needs to be sterilized, such as:

- Production halls
- Hospitals
- Healthcare facilities
- Public transport



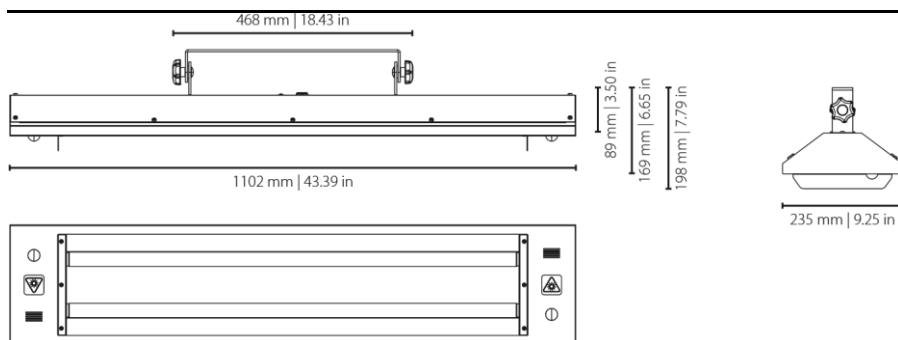
**Important safety warning**

Never allow human beings under direct radiation of UVC

## SPECIFICATIONS

Beam angle	100°
Wavelength	253.7nm (254nm)
Lamp life	> 9.000 hrs
Alarm noise level @ 1m center	70 dB
Irradiance @ 1m	500 microW/cm <sup>2</sup>
UVC radiation @ 100 hrs	35 W
Disinfection time	< 15 min
Voltage	230 V; 50 Hz
Power consumption	114 W
Movement detector	2x PIR sensor
Visual alarm	2x yellow UVC warning sign
Audio alarm	70 dB
Net weight	5,3 kg   11.7 lbs
Gross weight	6,3 kg   13.9 lbs
Dimension (WxHxD)	1.102 x 198 x 235 mm   43.39 x 7.79 x 9.25 in

## DIMENSIONS

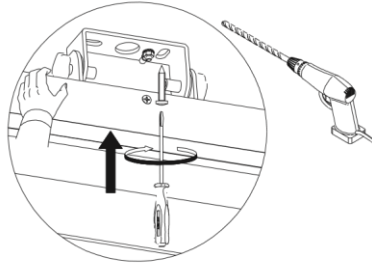


## MOUNTING

---

### Hanging bracket

5 holes  
20 mm center hole



## COMPLIANCE (DIRECTIVE EP AND C NO.)

---

2014/35/EU	LVD recast of 2006/95/EC	2011/65/EU + 2015/863	ROHS
2014/30/EU	EMC	2012/19/EU	WEEE

## CERTIFICATIONS

---

CE	Yes	UKCA	Yes
ETL	Pending	CETL	Pending