

- UVC air
- 2x TUV 55W HO (Philips)
- No ozone emission
- IP20 - dustproof



B Air takes care of 24h air disinfection in the presence of people and animals and eliminates bacteria, viruses and fungal and mold spores in the air. This indirect UVC air disinfection unit can be used in production halls, health care facilities, pharmacies, public transport, shops and many more.

FUNCTION

- Disinfect secondary infections
- Eliminates bacteria
- Deactivates virus
- Kill airborne fungi
- Kill airborne mold

APPLICATIONS

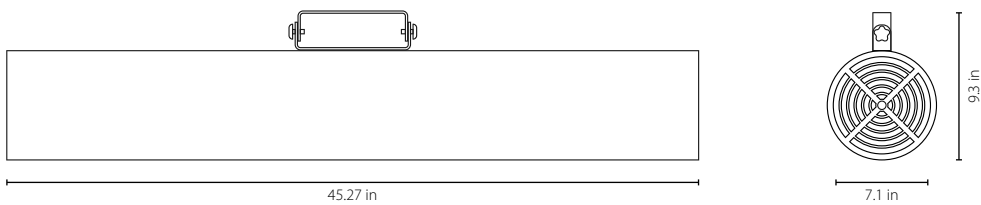
The B Air can be used everywhere where air needs to be sterilized, such as:

- Production halls,
- Hospitals,
- Healthcare facilities,
- Public transport,
- ...

SPECIFICATIONS

Wavelength	253.7nm (254nm)
Lamp life	> 9,000 hrs
Fan noise level @ 3 ft center	46 dB
Coverage	up to 82 sq. ft
Fan capacity	4,132 ft ³ /h
CADR	1,023.6 ft ³ /h
Voltage	110 V; 60 Hz
Power consumption	129 W
Net weight	24.5 lbs
Gross weight	28.7 lbs

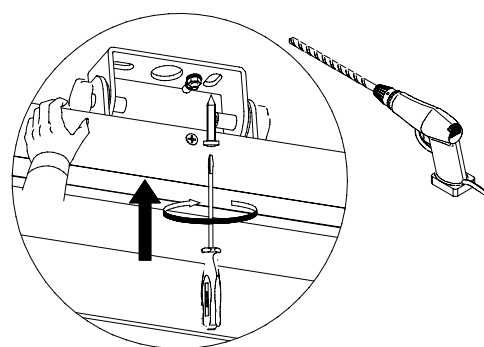
DIMENSIONS



MOUNTING

Hanging bracket

5 holes
0.78 in center hole



COMPLIANCE (DIRECTIVE EP AND C NO.)

2014/35/EU	LVD recast of 2006/95/EC	2011/65/EU + 2015/863	ROHS
2014/30/EU	EMC	2012/19/EU	WEEE

CERTIFICATIONS

CE	Yes	CETL	Pending
ETL	Pending		
