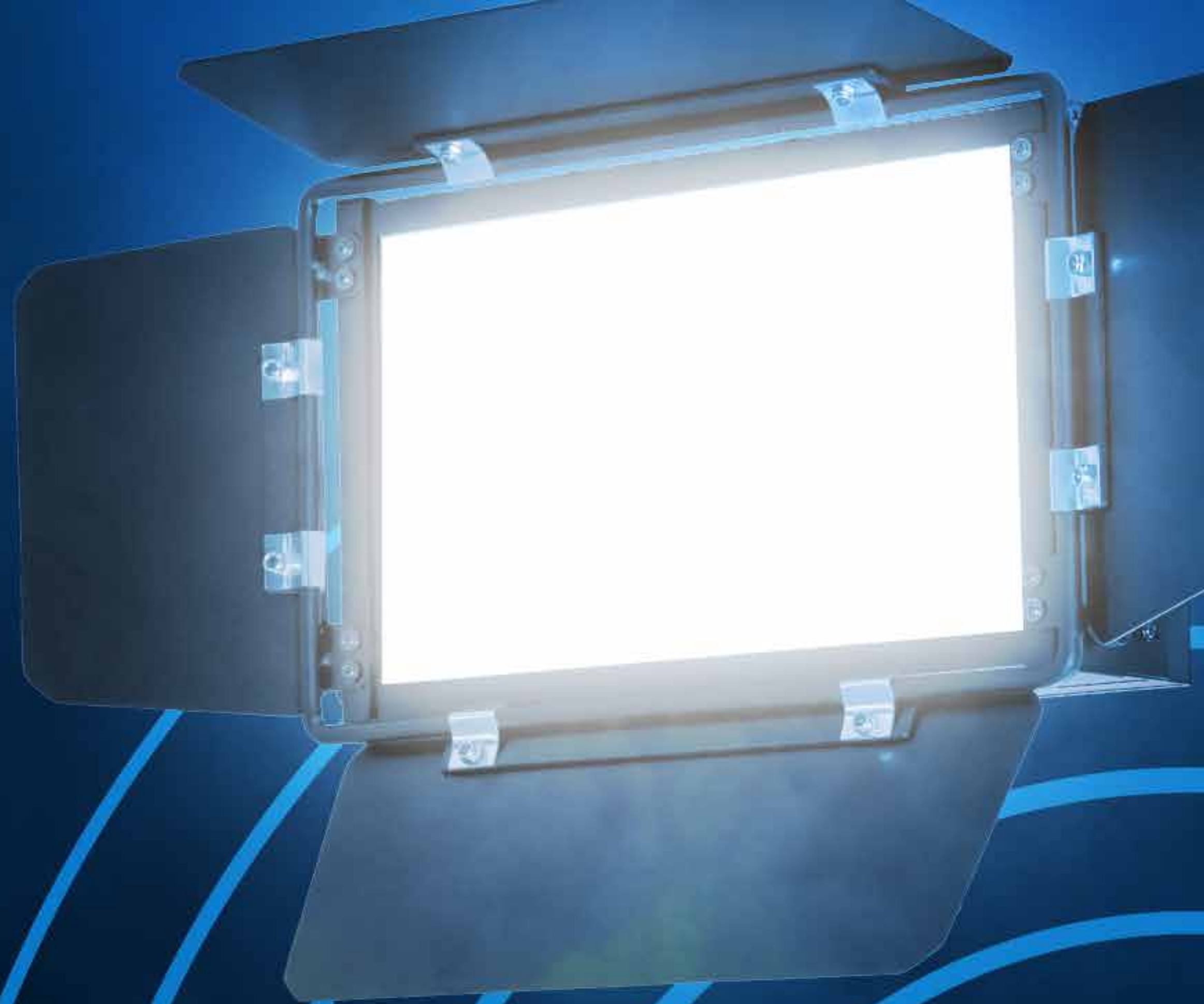
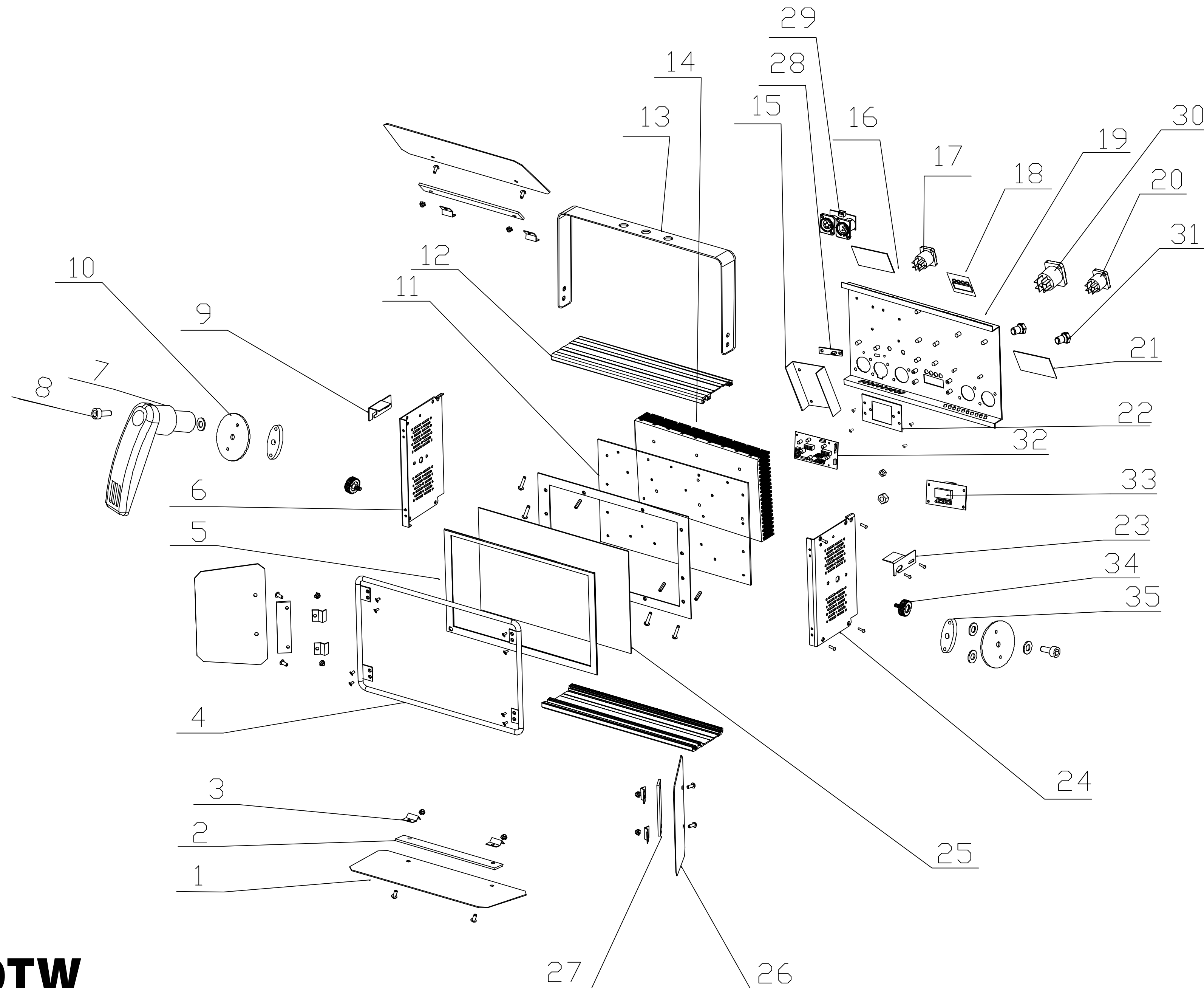


LUXIBEL

B PANEL 180TW

EXPLODED VIEW & PARTS LIST





B PANEL 180TW
EXPLODED VIEW



180TW PART N°	AED ITEM#	ITEM DESCRIPTION ENG	QTY IN THE FIXTURE	180TW PART N°	AED ITEM#	ITEM DESCRIPTION ENG	QTY IN THE FIXTURE
1	I0074809	BARNDOOR LEAF BIG 1	2	20a	I0074828	POWER OUT SOCKET	1
2	I0074810	BARNDOOR REINFORCEMENT BIG 1	2	20b	I0074829	POWER OUT SOCKET HOLDER	1
3	I0074812	BARNDOOR CLIP	8	21	I0060745	MAIN BOARD	1
4	I0074813	BARNDOOR RING 1	1	22	I0074821	DISPLAY BOARD HOLDER	1
5	I0060740	FILTER FRAME -B PANEL 120/180	1	23	I0074822	LEFT BAFFLE	1
6	I0074840	RIGHT AIR VENT SIDE HOUSING	1	24	I0074844	LEFT AIR VENT SIDE HOUSING	1
7	I0067493	BRACKET QUICK LOCK L-SHAPE	1	25a	I0067504	DIFFUSER - B PANEL120/180	1
8	I0074816	INBUS M6×16	2	25b	I0067505	INTENSIFIER - B PANEL120/180	1
9	I0074817	RIGHT BAFFLE	1	26	I0074824	BARNDOOR LEAF SMALL	2
10	I0074841	BRACKET REINFORCEMENT PLATE	2	27	I0074825	BARNDOOR REINFORCEMENT SMALL 1	2
11	I0060742	LED BOARD WITH CABLE BOOM	1	28	I0060752	USB CONNECTOR	1
12	I0074842	LONG SIDE HOUSING	2	29a	I0074830	XLR female socket	1
13	I0067503	BRACKET 1	1	29b	I0074831	XLR male socket	1
14	I0074843	HEAT SINK P180	1	30	I0074845	LOW VOLTAGE INPUT CONNECTOR WITH CABLE	1
15	I0060747	POWER SUPPLY	1	31a	I0060749	POTENTIOMETER DIMMING	2
16	I0060744	LED DRIVER BOARD	1	31b	I0060750	KNOB BLUE FOR DIMMING	1
17	I0074827	POWER IN SOCKET	1	32	I0060753	ADAPTER BOARD (FROM BATTERY TO INP POW) NS-1201INTA	1
18	I0067492	SILICON COVER FOR BUTTON AND SCREEN	1	33	I0060743	DISPLAY BOARD	1
19	I0067500	BACK PLATE 180	1	34	I0074826	BAFFLE KNOB	2
				35	I0074846	PLASTIC BRACKET WASHER	2