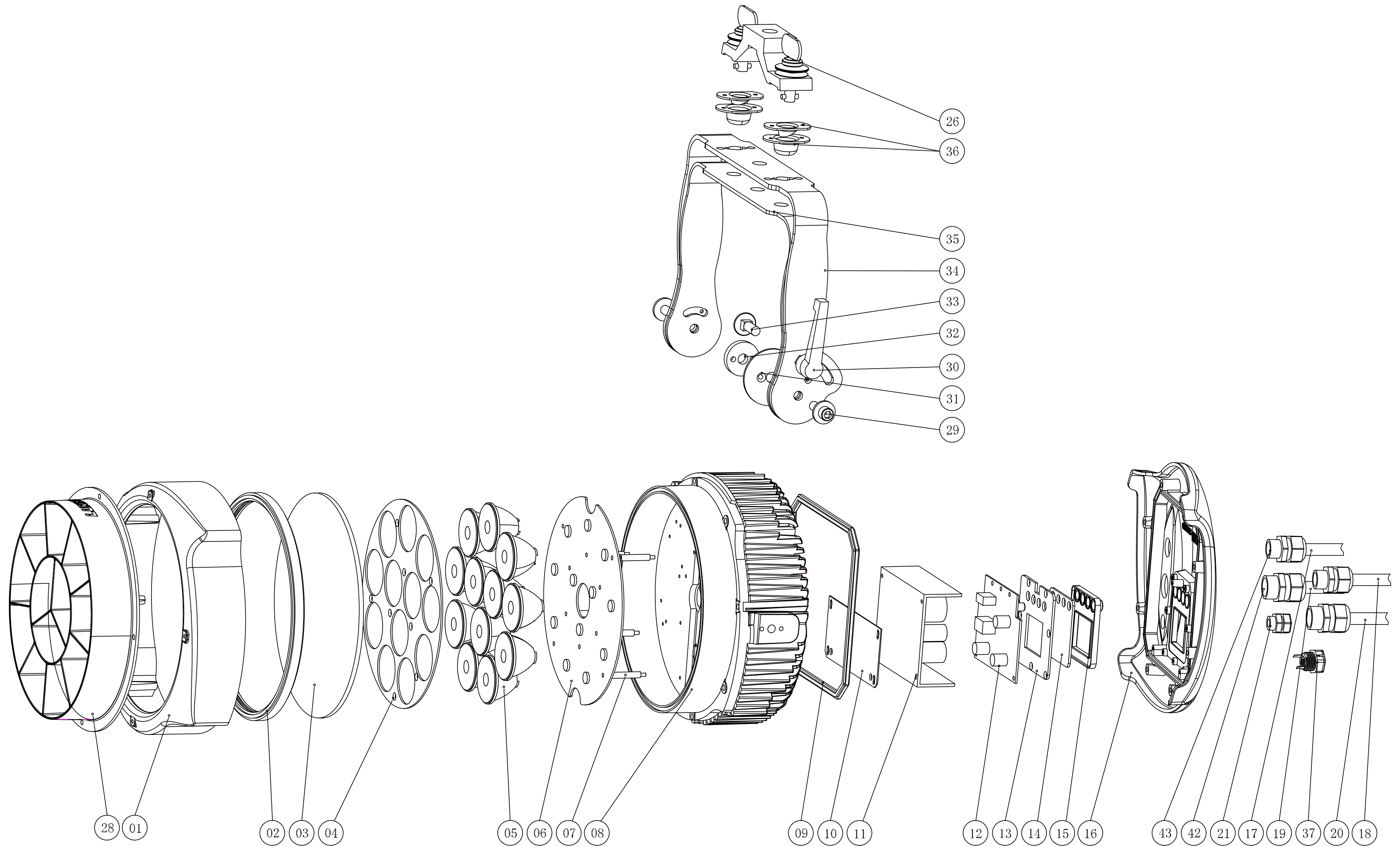


**LUXIBEL**



**B PAR180RGBW V2 IP66**

EXPLODED VIEW & PARTS LIST



**B PAR180RGBW V2 IP66**  
EXPLODED VIEW



BPAR180 PART N°	AED ITEM#	ITEM DESCRIPTION ENG	QTY IN THE FIXTURE	BPAR180 PART N°	AED ITEM#	ITEM DESCRIPTION ENG	QTY IN THE FIXTURE
1	I0067521	FRONT HOUSING RING	1	18	I0067512	DMX OUT	1
2	I0067522	RUBBER SEAL FRONT GLASS	1	19	I0067526	POWER IN	1
3	I0062999	FRONT GLASS	1	20	I0067527	POWER OUT	1
4	I0068486	HOLDER LED LENSES	1	21	I0067514	PRESSURE VALVE	1
5	I0058024	OPTIC LENSES 25 DEGREE	12	26	I0052161	OMEGA BRACKET	1
6	I0062993	LED PCB (WITH 12PCS LED)	1	28	I0059750	TOP HAT	1
7	I0068487	SPACERS M3*25+5	8	29	I0068495	INBUS M8X35	2
8	I0067523	MAIN HOUSING WITH HEAT SINK	1	30	I0063008	QUICK LOCK L-SHAPE	1
9	I0068488	REAR HOUSING RUBBER RING	1	31	I0068496	BRACKET WASHER FOR YOKE MOUNT ø5CM	1
10	I0068489	PSU HOLDER BOARD	1	32	I0068497	ROUND METAL WASHER ø3CM	2
11	I0062996	PSU	1	33	I0068498	CARRIAGE BOLT FOR QUICK LOCK	1
12	I0067524	MAIN/DISPLAY PCB	1	34	I0067528	V2 OUTER BRACKET	1
13	I0068490	DISPLAY PRESSURE SEALER	1	35	I0067529	V2 INNER BRACKET	1
14	I0067509	ACRYLIC DISPLAY COVER	1	36	I0067530	V2 FEMALE QUICK LOCK FOR OMEGA BRACKET	2
15	I0067510	BUTTONS AND DISPLAY RUBBER SEALER	1	37	I0060468	V2 DEHUMIDIFIER	1
16	I0075392	REAR HOUSING, BACK PLATE IP66	1	42	I0067533	SEALING COVER DMX OUT	2
17	I0063002	DMX IN	1	43	I0067534	SEALING COVER POWER OUT	2

29, 30, 33, 34, 35, 36 belong together - can only be ordered as 1 bracket